

Accessory Part Installation Instructions

Model: VN900

Rear Step Kit: Part No. K46000-426

The Rear Step Kit consists of the components below. Confirm the contents in the box.

No.	Parts No.	Component Name	Qty	Remarks
1	34003-0023	Holder, Step, LH	1	
2	34003-0024	Holder, Step, RH	1	
3	92152-0505	Collar, LH	2	L=5 mm (0.2 inch)
4	92152-0209	Collar, RH	2	L=33.4 mm (1.3 inch)
5	92161-0145	Damper	2	
6	34028-0052	Step	2	
7	92145-1319	Spring	4	
8	600A0800	Ball, Steel	4	
9	32085-0045	Stopper	4	
10	14091-0229	Cover	2	
11	92153-1096	Bolt	4	
12	120S0855	Bolt, Allen (Right side)	2	Tightening Torque 25 N·m (2.5kgf·m, 18ft·lb)
13	120S-0825	Bolt, Allen (Left side)	2	
14	92043-0054	Pin	2	
15	482L7000	Circlip	2	

Installation Procedure

- Remove the following parts (both left and right):
Foot peg Bolts [1] and Foot pegs [2] (not reused).

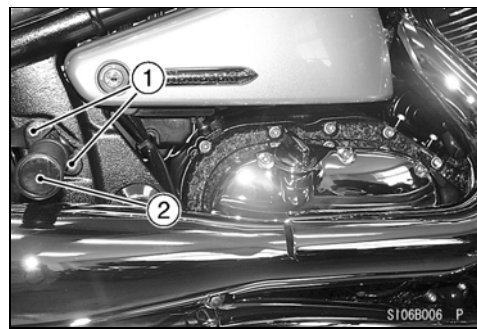


FIGURE 1

- Install the Step Holders on to the Frame see Figure 2.
 - Insert the Collars [92152-0505 (Left)]-[92152-0209 (Right)] between the Step Holders and Frame.
- Tighten the Bolts [120S-0855 (Right side), 120S-0825 (Left side)] with specified torque below.
Torque – Allen Bolts for Step Holders: 25 N·m (2.5 kgf·m, 18 ft·lb)
- Install the following parts, both left and right, into the Step Holders as shown in Fig. 2.
The Dampers [92161-0145], Steps [34028-0016] and Covers [14091-0229] with Bolts [92153-1096], in addition Springs [92145-1319], Balls [600A0800] and Stoppers [32085-0045] to the Steps and insert to the Step Holders [34003-0023 (L)]-[34003-0024 (R)].

NOTE

- *Install the Step Holders with the radius corners pointing up.*

- Insert the Pins [92043-0054] thru the Step Holders and fix the Pins with Circlips [482L7000].

NOTE

- Inserting direction of the Pin is not critical.

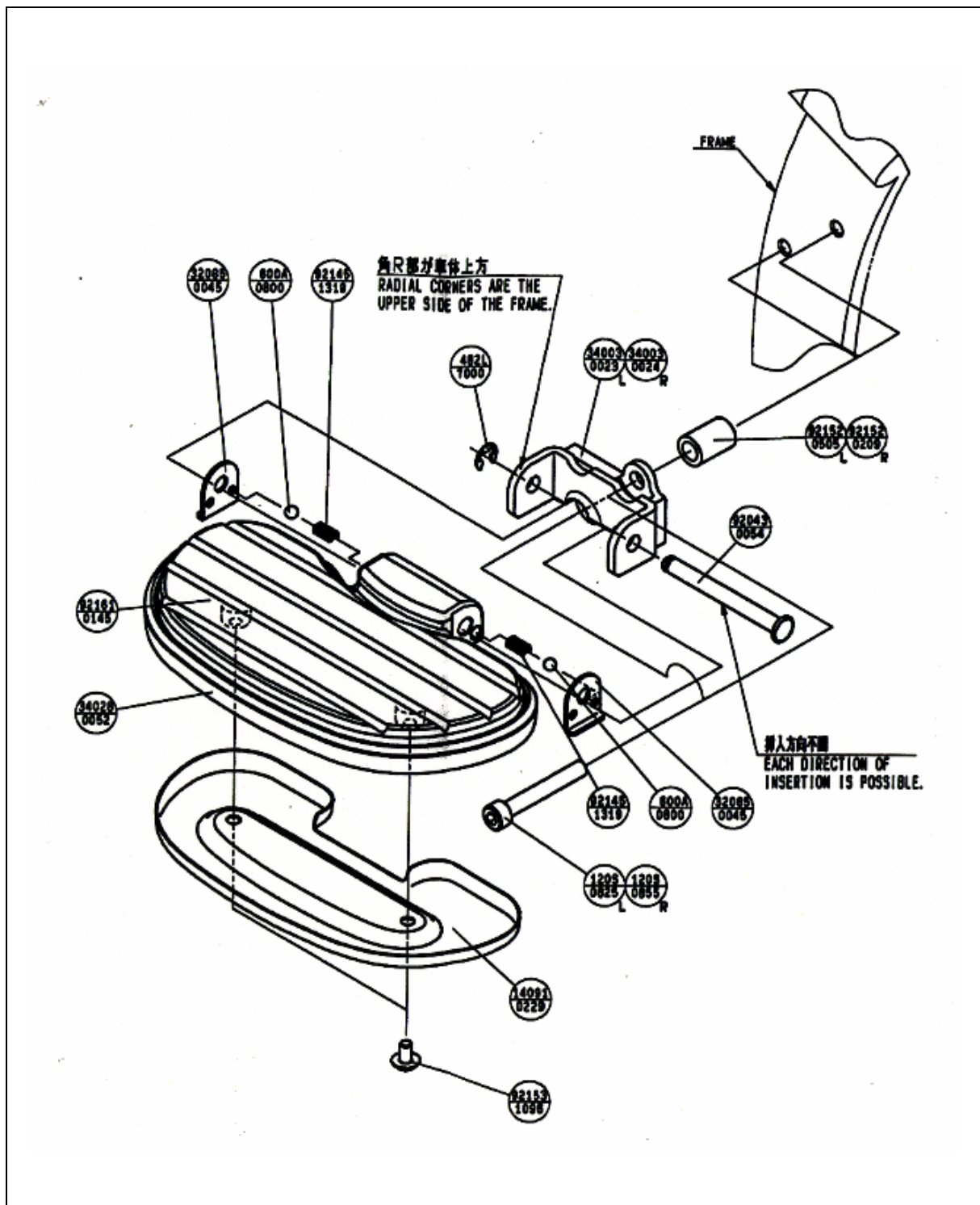


FIGURE 2: FLOORBOARD INSTALLATION